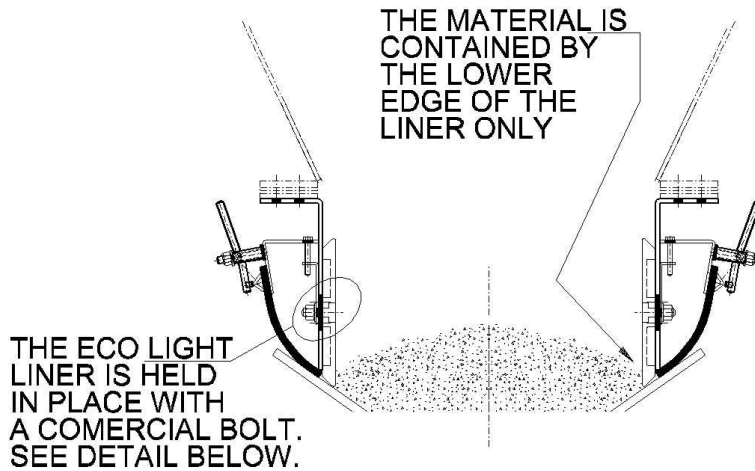


THE ECO LIGHT SKIRT LINER

THE SAFE, EASY AND ECONOMICAL WAY TO HANDLE SKIRT LINERS
INTERCHANGEABLE WITH B.H.P. SKIRT LINER TYPE S96C

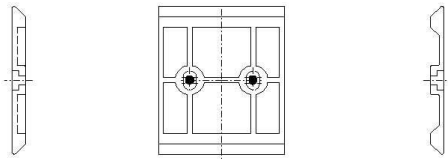


ECO LIGHT SKIRT LINER

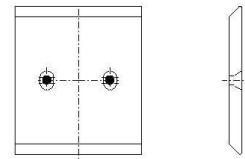
THE RECESS IN THE ECO LIGHT LINER REDUCES THE MASS OF THE LINER MAKING IT EASIER TO HANDLE.

15 KG

25 KG

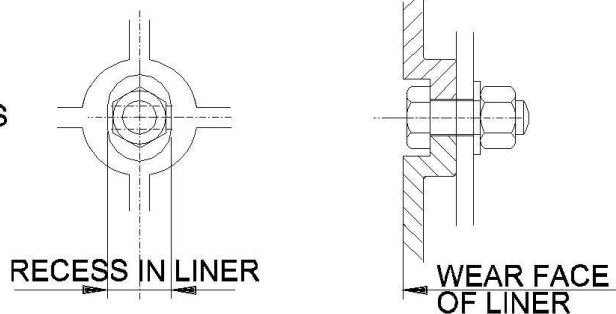


ECO LIGHT 'ELS96C' SKIRT LINER

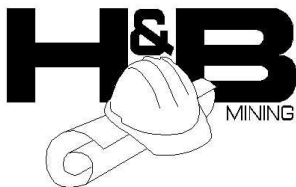


STANDARD S96C SKIRT LINER

THE LINER BOLT DOES NOT INTERACT WITH THE MATERIAL ON THE BELT THEREFORE THE ECO LIGHT LINER HAS BEEN DESIGNED TO ACCOMODATE A COMMERCIAL BOLT ONLY. THE HEAD OF THE BOLT IS PROTECTED BY A PRE-CAST RECESS IN THE LINER.



THE ECO LIGHT SKIRT LINER IS FIXED IN PLACE WITH A COMMERCIAL BOLT
NO REQUIREMENT FOR THE EXPENSIVE DONHAD BOLT



ECO LIGHT SKIRT LINER - PROTECTED BY AUSTRALIAN PATENT

- SAFER - EASY TO MAN HANDLE AS IT IS 40% LIGHTER IN MASS
- ECONOMIC - CHEAPER TO SUPPLY AND LESS WASTAGE
- PROTECTION - GAPS BETWEEN LINERS ARE SMALLER THEREFORE LESS CHANCE FOR MATERIAL TO GET CAUGHT AND RIP THE BELT