

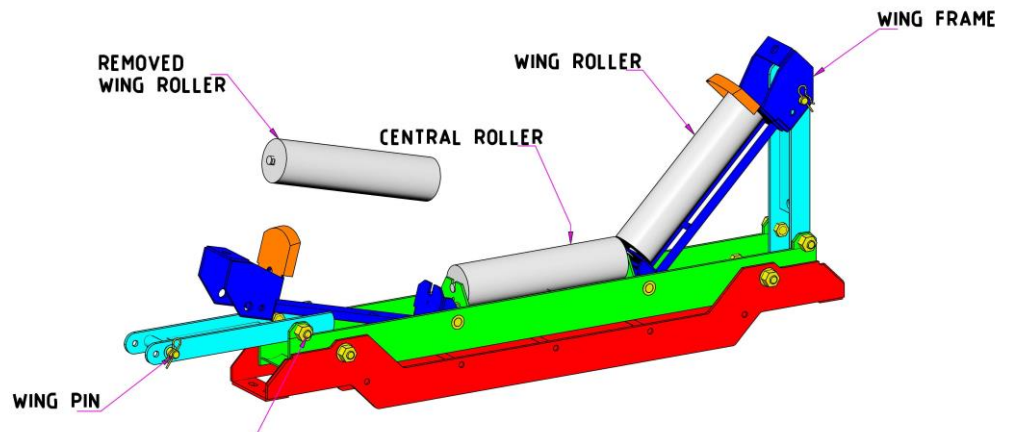
Drop Down Retractable Idler

- Simplify roller replacement
- Easy roller maintenance
- Manufactured for site standard idler

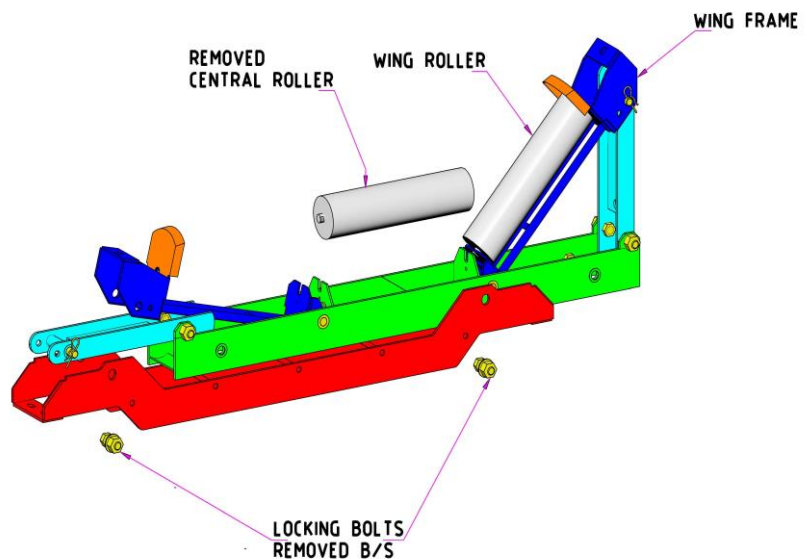
The H & B Mining DDR conveyor idlers are designed to facilitate & simplify the removal/replacement of worn or damaged idler rollers whilst the units remain in an "insitu" location under skirted or difficult access areas on conveyor systems.

The drop down retractable idler replaces the single in-line impact idler making the removal and replacement of the central roller possible.

The central roller replacement is an easy and safe operation. The main frame is lowered before a 'come-a-long' is used to drag the frame out to allow access to the central roller for easy removal and replacement.



WING ROLLER REMOVAL



CENTRAL ROLLER REMOVAL



7 Tahiti Lane
Hillarys, WA 6025
(08) 9403 2993
www.handbmining.com.au